

- Characteristics
- Single pole changeover, snap acting switch.
 - Fine silver contacts.
 - Beryllium copper trident spring operating mechanism.
 - 6BA terminal screws.
 - 3.96 mm. wide wiring channels protected by a removable, insulated cover plate.
 - Conform to IEC 1058-1 standard.



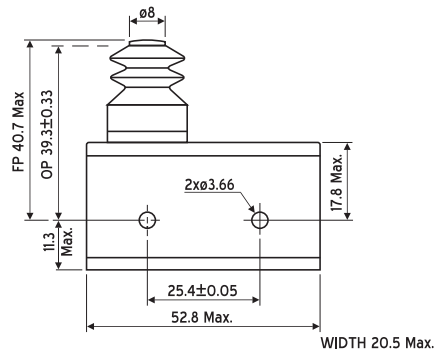
Approval



Ordering code

MS-7

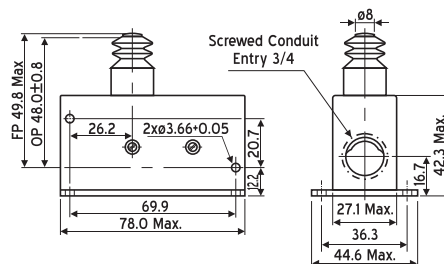
- Actuating force 720 gms. (max.)
- Release force 170 gms. (min.)
- Pretravel 1.40 mm. (max.)
- Overtravel 4.6 mm.
- Movement differential 0.08 mm. (max.)
- Salient features Heavy duty spring plunger actuator protected by a synthetic rubber cowl.



Ordering code

MS-7/1B

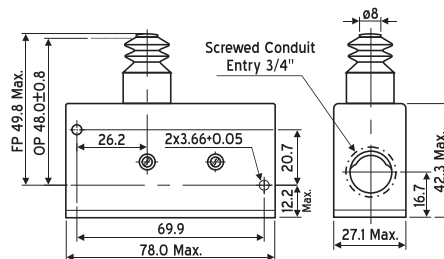
- Actuating force 720 gms. (max.)
- Release force 170 gms. (min.)
- Pretravel 1.40 mm. (max.)
- Overtravel 4.6 mm.
- Movement differential 0.08 mm (max.)
- Salient features Zinc alloy die cast, stove enamelled housing suitable for base mounting.



Ordering code

MS-7/1S

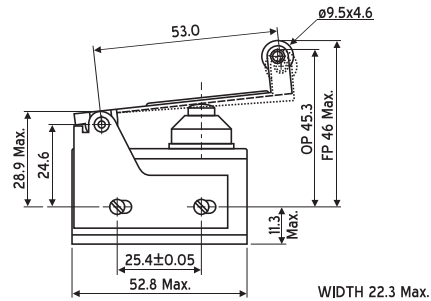
- Actuating force 720 gms. (max.)
- Release force 170 gms. (min.)
- Pretravel 1.40 mm. (max.)
- Overtravel 4.6 mm.
- Movement differential 0.08 mm. (max.)
- Salient features Zinc alloy die cast, stove enamelled housing suitable for side mounting.



Ordering code **MSL-8**

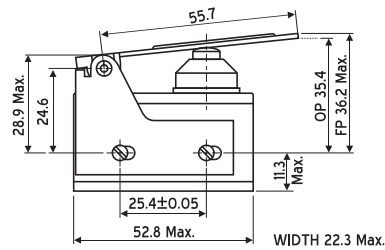
Actuating force 300 gms. (max.)
 Release force 150 gms. (min.)
 Pretravel 0.76 mm. (max.)
 Overtravel 4.06 mm.
 Movement differential 0.15 mm. (max.)
 Salient features Nylon roller lever actuator.

With metal roller Ordering code - **MSL-8M**



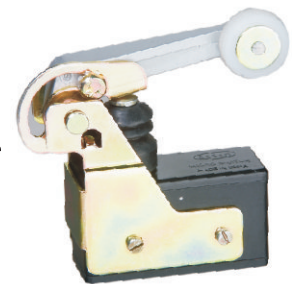
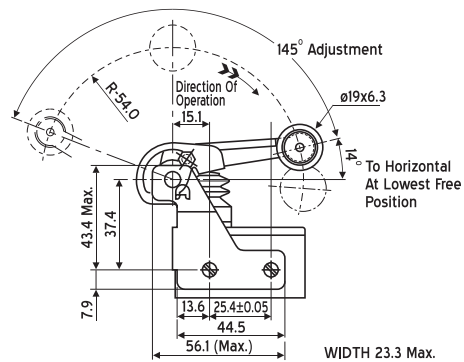
Ordering code **MSL-9**

Actuating force 300 gms. (max.)
 Release force 150 gms. (min.)
 Pretravel 0.76 mm. (max.)
 Overtravel 4.06 mm.
 Movement differential 0.15 mm. (max.)
 Salient features Solid plain lever actuator.



Ordering code **MS-7/LRI**

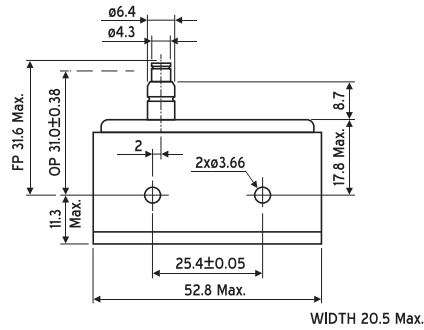
Actuating force 300 gms. (max.)
 Release force 100 gms. (min.)
 Pretravel 10 mm. (max.)
 Overtravel 5 mm.
 Movement differential 0.2 mm. (max.)
 Salient features Auxiliary actuator - roller lever adjustable upto 145°



Ordering code

MS-33P

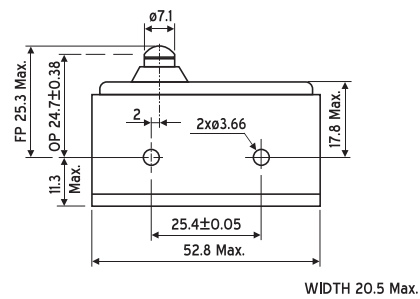
Actuating force	722 gms. (max.)
Release force	170 gms. (min.)
Pretravel	0.6 mm. (max.)
Overtravel	1.5 mm.
Movement differential	0.08 mm. (max.)
Salient features	Small diameter spring plunger actuator.



Ordering code

MS-33B

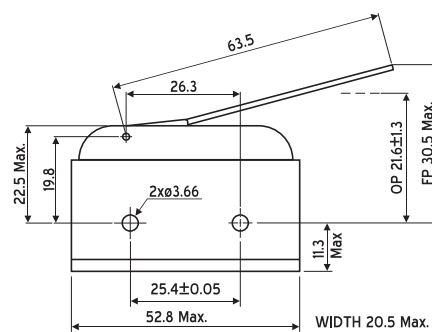
Actuating force	722 gms. (max.)
Release force	170 gms. (min.)
Pretravel	0.6 mm. (max.)
Overtravel	2.3 mm.
Movement differential	0.08 mm. (max.)
Salient features	Low profile spring plunger actuator.



Ordering code

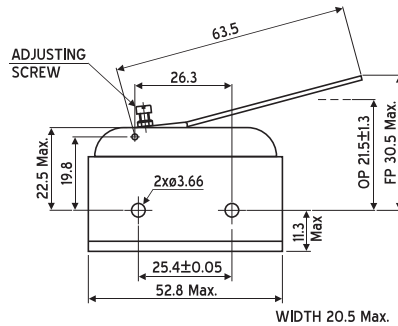
MSL-05D

Actuating force	98 gms. (max.)
Release force	3 gms. (min.)
Pretravel	8.9 mm. (max.)
Overtravel	2.5 mm.
Movement differential	0.8 mm. (max.)
Salient features	Direct acting stainless steel plain lever of 63.5 mm radius. Spring assisted return.

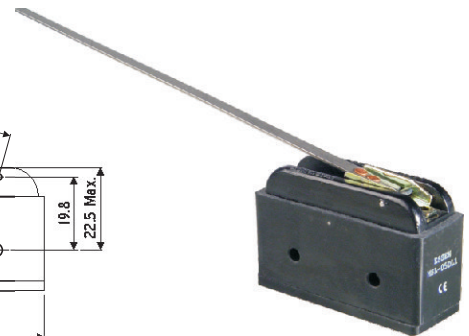
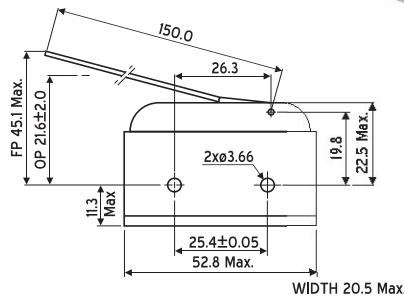


Ordering code MSL-05DA

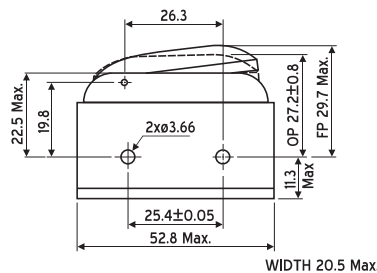
Actuating force 28 gms. (max.)
 Release force 0.3 gms. (min.)
 Pretravel 9.0 mm. (max.)
 Overtravel 2.5 mm.
 Movement differential 0.8 mm. (max.)
 Salient features Direct acting stainless steel plain lever of 63.5mm radius. Adjustable lever facilitates fine adjustment of operating position. For coarse adjustment bend lever at the point where it joins its yoke. For fine adjustment turn screw provided on lever. Adjustment of $1\frac{1}{2}^\circ$ is available by this method.


Ordering code MSL-05DL1

Actuating force 18 gms. (max.)
 Release force 5 gms. (min.)
 Pretravel 23.5 ± 2 mm. (max.)
 Overtravel 2.5 mm.
 Movement differential 2.3 mm. (max.)
 Salient features Direct acting extra long stainless steel plain lever of 150 mm.


Ordering code MSL-05PL

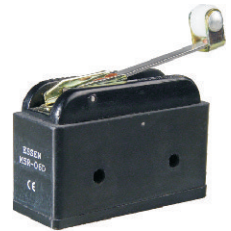
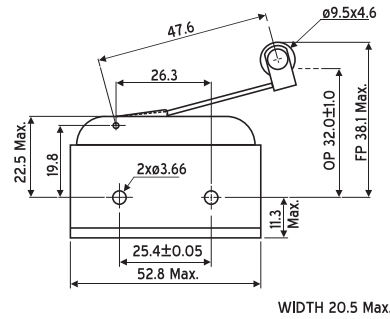
Actuating force 185 gms. (max.)
 Release force 35 gms. (min.)
 Pretravel 2.5 mm. (max.)
 Overtravel 2.0 mm.
 Movement differential 0.5 mm. (max.)
 Salient features Micro switch with plastic lever.



Ordering code **MSR-06D**

Actuating force 102 gms. (max.)
 Release force 21 gms. (min.)
 Pretravel 6.0 ± 1 mm. (max.)
 Overtravel 2.3 mm.
 Movement differential 0.5 mm. (max.)
 Salient features Nylon roller of 9.5 mm. dia. x 4.6 mm. width mounted on stainless steel lever of 47.6 mm. radius.

With metal roller Ordering code - **MSR-06DM**

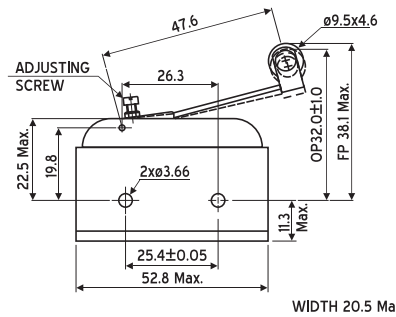


WIDTH 20.5 Max.

Ordering code **MSR-06DA**

Actuating force 102 gms. (max.)
 Release force 21 gms. (min.)
 Pretravel 6.1 mm. (max.)
 Overtravel 2.3 mm.
 Movement differential 0.5 mm. (max.)
 Salient features Nylon roller of 9.5 mm. dia. x 4.6 mm. width mounted on stainless steel lever of 47.6 mm. radius. Adjustment of operating mechanism is similar to MSL-05DA

With metal roller Ordering code - **MSR-06DAM**

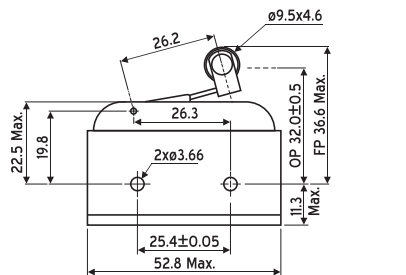


WIDTH 20.5 Max.

Ordering code **MSRS-06D**

Actuating force 184 gms. (max.)
 Release force 35 gms. (min.)
 Pretravel 4.6 mm. (max.)
 Overtravel 1.14 mm.
 Movement differential 0.25 mm. (max.)
 Salient features Nylon roller of 9.5 mm. dia. x 4.6 mm. width mounted on stainless steel lever of reduced length.

With metal roller Ordering code - **MSRS-06DM**



WIDTH 20.5 Max.

Note : All roller lever type micro switches are also available with cross roller. Add suffix 'C' after ordering code. eg. : **MSR-06D-C** etc.

ELECTRICAL RATINGS

Load	Rating
AC	5 A at 250V or 3 A at 440V
DC (resistive)	0.4 A at 110V or 0.2 A at 220V
DC (inductive)	0.03 A at 110V or 0.02 A at 220V

All dimensions are in mm.
 Due to continuous improvement in products, we reserve the right to alter specifications without prior notice

- Characteristics
- Single pole changeover, snap-acting switches.
 - Fine silver contacts.
 - Beryllium copper trident spring operating mechanism.
 - Metallic casing of robust construction.
 - Protection against physical violence, dusty atmosphere & accidental splashing.
 - 6 BA screw terminals are located in 3.96 mm. wide wiring channels protected by a removable, insulated cover plate.
 - Conform to IEC 1058-1 standard.



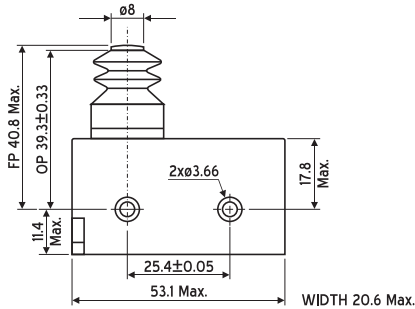
Approval



Ordering code

MBC1

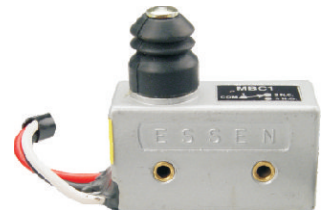
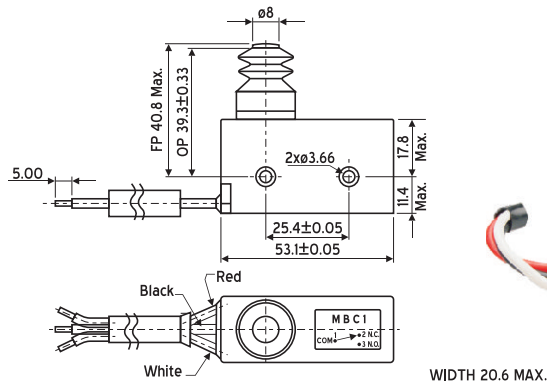
- Actuating force 723 gms. (max.)
 Release force 170 gms. (min.)
 Pretravel 1.5 mm. (max.)
 Overtravel 4.6 mm.
 Movement differential 0.08 mm. (max.)
 Salient features Spring plunger actuator protected by a synthetic rubber cowl.



Ordering code

MBC1 S

- Actuating force 723 gms. (max.)
 Release force 170 gms. (min.)
 Pretravel 1.5 mm. (max.)
 Overtravel 4.6 mm.
 Movement differential 0.08 mm. (max.)
 Wire Size Three 37.5 cm. long P.V.C. wires of 1.0 sq. mm.
 Salient features Sealed micro switch

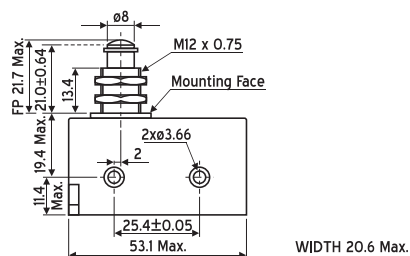


- White : Normally open contact
 Black : Common contact
 Red : Normally closed contact

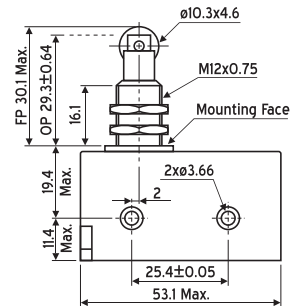
Ordering code

MBC1 P1

- Actuating force 283 gms. (max.)
 Release force 113 gms. (min.)
 Pretravel 0.7 mm. (max.)
 Overtravel 3.56 mm.
 Movement differential 0.05 mm. (max.)
 Salient features Plain plunger with single hole mounting in plates or panels upto 6.35 mm. thickness.



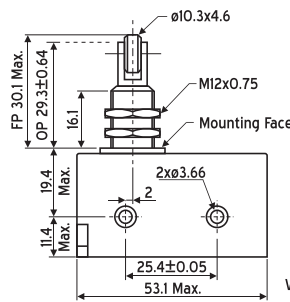
Ordering code	MBC1 R2
Actuating force	283 gms. (max.)
Release force	113 gms. (min.)
Pretravel	0.8 mm. (max.)
Overtravel	3.56 mm.
Movement differential	0.05 mm. (max.)
Salient features	Nylon roller plunger with single hole mounting.
With metal roller	Ordering code - MBC1 R2M



WIDTH 20.6 Max.



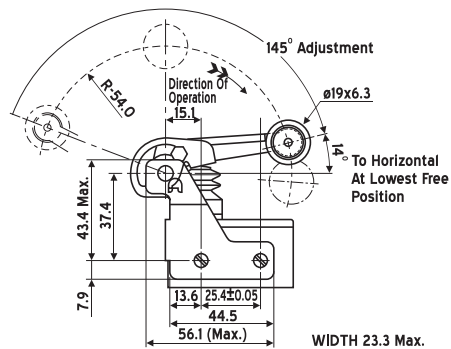
Ordering code	MBC1 R3
Actuating force	283 gms. (max.)
Release force	113 gms. (min.)
Pretravel	0.8 mm. (max.)
Overtravel	3.56 mm.
Movement differential	0.05 mm. (max.)
Salient features	Similar to MBC1R2 but roller turned through 90° running across the line of case.
With metal roller	Ordering code - MBC1 R3M



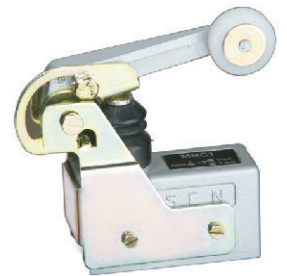
WIDTH 20.6 Max.



Ordering code	MBC1/LR1
Actuating force	300 gms. (max.)
Release force	150 gms. (min.)
Pretravel	10 mm. (max.)
Overtravel	9 mm.
Movement differential	0.4 mm. (max.)
Salient features	Auxiliary actuator - roller lever adjustable upto 145°



WIDTH 23.3 Max.



ELECTRICAL RATINGS

Load	Rating
AC	5 A at 250V or 3 A at 440V
DC (resistive)	0.4 A at 110V or 0.2 A at 220V
DC (inductive)	0.03 A at 110V or 0.02 A at 220V

All dimensions are in mm.
Due to continuous improvement in products, we reserve the right to alter specifications without prior notice

- Characteristics
- Single pole changeover, snap-acting switches.
 - Fine silver contacts.
 - Beryllium copper trident spring operating mechanism.
 - Solder tag terminals secured by 6BA screws.
 - Conform to IEC 1058-1 standard.



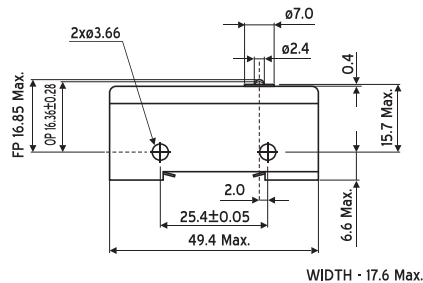
Approval



Ordering code

MR-8

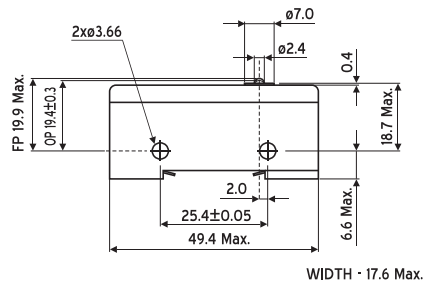
- Actuating force 285 gms. (max.)
 Release force 112 gms. (min.)
 Pretravel 0.5 mm. (max.)
 Overtravel 0.13 mm.
 Movement differential 0.025 mm. (max.)
 Salient features Pin plunger actuator having small operating movement and close movement differential.


 Free Position - 16.85 mm. Max.
 Operating Position - 16.36 ± 0.28


Ordering code

MRH-8

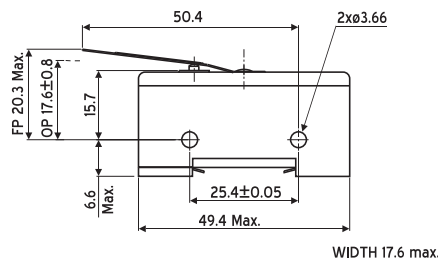
- Actuating force 285 gms. (max.)
 Release force 112 gms. (min.)
 Pretravel 0.5 mm. (max.)
 Overtravel 0.13 mm.
 Movement differential 0.025 mm. (max.)
 Salient features Pin plunger actuator having small operating movement and close movement differential.


 Free Position - 19.90 mm. Max.
 Operating Position - 19.40 ± 0.30


Ordering code

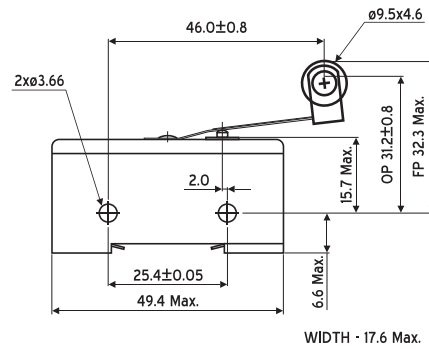
MRL-8

- Actuating force 110 gms. (max.)
 Release force 15 gms. (min.)
 Pretravel 20 mm. (max.)
 Overtravel 1.1 mm.
 Movement differential 1.0 mm. (max.)
 Salient features Spring lever actuator having reduced actuating force.



Ordering code **MRR-9**

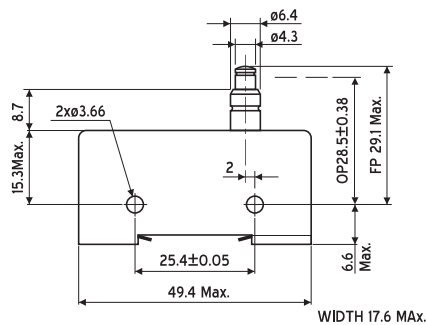
Actuating force 110 gms. (max.)
 Release force 15 gms. (min.)
 Pretravel 2.0 mm. (max.)
 Overtravel 1.1 mm.
 Movement differential 1.0 mm. (max.)
 Salient features Spring roller lever actuator having self lubricating Nylon roller to reduce friction during operation.



With metal roller Ordering code - **MRR-9M**

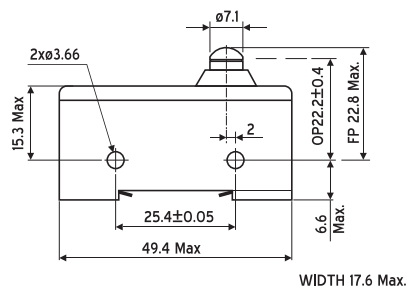
Ordering code **MR-34P**

Actuating force 285 gms. (max.)
 Release force 112 gms. (min.)
 Pretravel 0.6 mm. (max.)
 Overtravel 1.5 mm.
 Movement differential 0.025 mm. (max.)
 Salient features Small diameter spring plunger actuator.

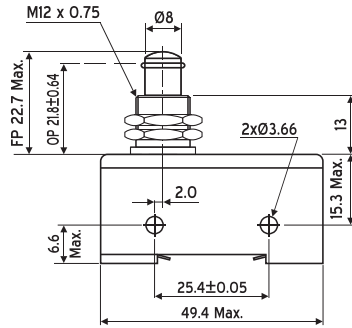


Ordering code **MR-34B**

Actuating force 285 gms. (max.)
 Release force 112 gms. (min.)
 Pretravel 0.6 mm. (max.)
 Overtravel 2.3 mm.
 Movement differential 0.05 mm. (max.)
 Salient features Low profile spring plunger actuator.



Ordering code	MRP-16
Actuating force	280 gms. (max.)
Release force	110 gms. (min.)
Pretravel	0.9 mm. (max.)
Overtravel	3.3 mm.
Movement differential	0.05 mm. (max.)
Salient features	Large spring plunger actuator with single hole or side mounting



WIDTH - 17.6 Max.



ELECTRICAL RATINGS

Load	Rating
AC	5 A at 250V or 3 A at 440V
DC (resistive)	0.5 A at 125V or 0.25 A at 250V
DC (inductive)	0.03 A at 125V or 0.02 A at 250V

- Characteristics
- Single pole change over, snap-acting switches.
 - Fine silver contacts.
 - Beryllium copper trident spring operating mechanism.
 - Solder tag terminals secured by 6BA screws.
 - Conform to IEC 1058-1 standard.



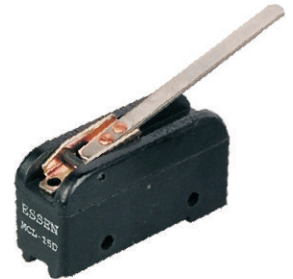
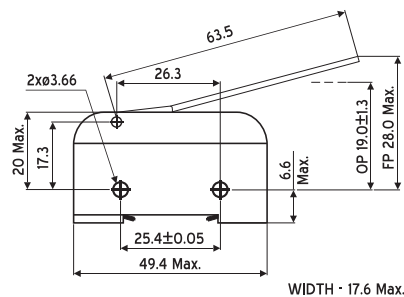
Approval



Ordering code

MCL-15D

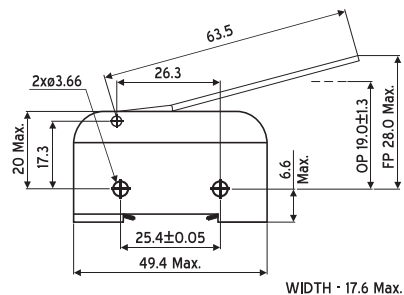
Actuating force 70 gms. (max.)
 Release force 14 gms. (min.)
 Pretravel 9 mm. (max.)
 Overtravel 2.5 mm.
 Movement differential 0.8 mm. (max.)
 Salient features Direct acting stainless steel plain lever of 63.5mm radius.



Ordering code

MCL-15D/LF

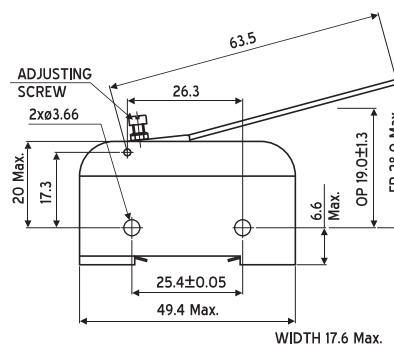
Actuating force 28.3 gms. (max.)
 Release force 3 gms. (min.)
 Pretravel 9 mm. (max.)
 Overtravel 2.5 mm.
 Movement differential 0.8 mm. (max.)
 Salient features Lever return coil spring omitted to achieve lower actuating force.



Ordering code

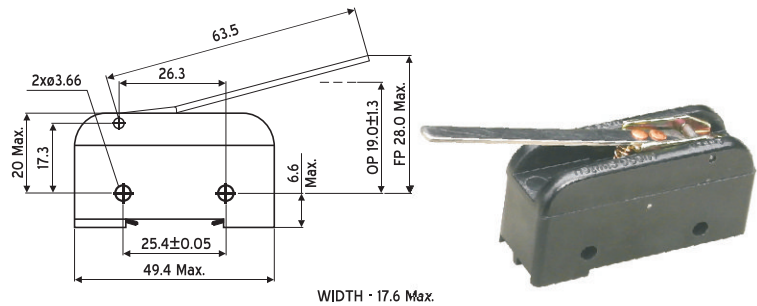
MCL-15DA

Actuating force 70 gms. (max.)
 Release force 14 gms. (min.)
 Pretravel 9 mm. (max.)
 Overtravel 2.5 mm.
 Movement differential 0.8 mm. (max.)
 Salient features Direct acting stainless steel plain lever of 63.5mm. radius. Adjustable lever facilitates fine adjustment of operating position. For coarse adjustment bend lever at the point where it joins its yoke. For fine adjustment turn screw provided on lever. Adjustment of $\pm 1\frac{1}{2}^\circ$ is available by this method.

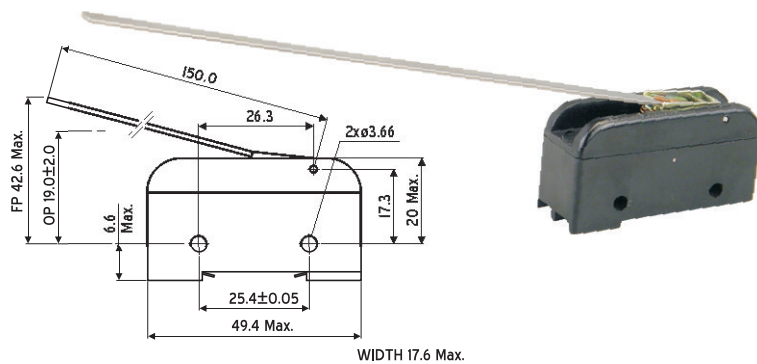


Ordering code MCL-15D-1

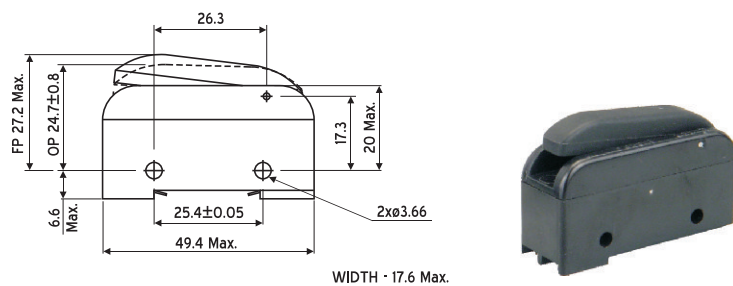
Actuating force	225 gms. (max.)
Release force	29 gms. (min.)
Pretravel	7 mm. (max.)
Overtravel	5.6 mm.
Movement differential	0.4 mm. (max.)
Salient features	Similar to MCL-15D but with increased actuating force.


Ordering code MCL-15DL1

Actuating force	18 gms. (max.)
Release force	5 gms. (min.)
Pretravel	23 mm. (max.)
Overtravel	2.5 mm.
Movement differential	2.0 mm. (max.)
Salient features	Direct acting extra long stainless steel plain lever of 150 mm.


Ordering code MCL-15PL

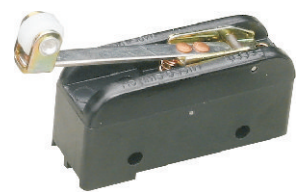
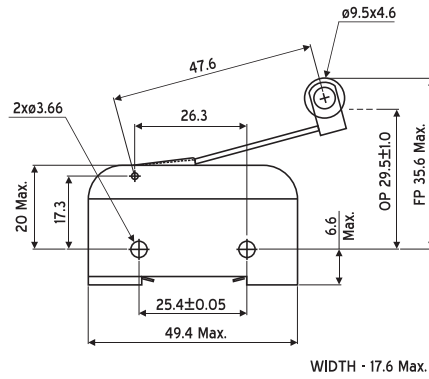
Actuating force	185 gms. (max.)
Release force	35 gms. (min.)
Pretravel	2.5 mm. (max.)
Overtravel	2.0 mm.
Movement differential	0.5 mm. (max.)
Salient features	Micro switch with plastic lever.



Ordering code **MCR-16D**

Actuating force 100 gms. (max.)
 Release force 21 gms. (min.)
 Pretravel 6.1 mm. (max.)
 Overtravel 2.3 mm.
 Movement differential 0.5 mm. (max.)
 Salient features Nylon roller of 9.5 mm. dia. x 4.6 mm. width mounted on stainless steel lever of 47.6 mm. radius.

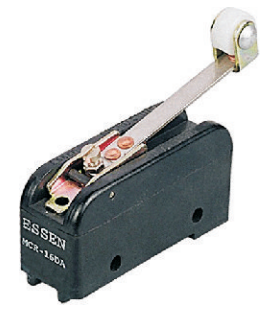
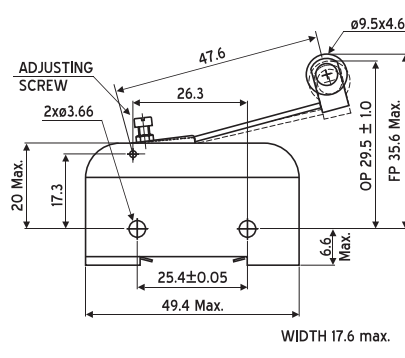
With metal roller Ordering code - **MCR-16DM**



Ordering code **MCR-16DA**

Actuating force 100 gms. (max.)
 Release force 21 gms. (min.)
 Pretravel 6.1 mm. (max.)
 Overtravel 2.3 mm.
 Movement differential 0.5 mm. (max.)
 Salient features Nylon roller of 9.5 mm. dia. x 4.6 mm. width mounted on stainless steel lever of 47.6 mm. radius. Adjustment of operating mechanism is similar to MCL-15DA

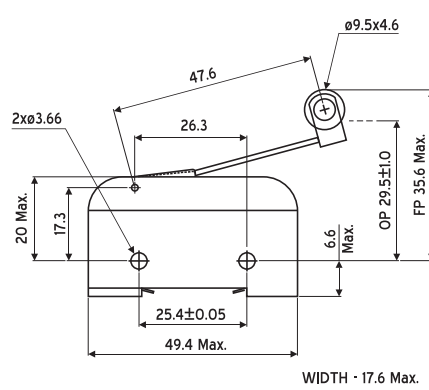
With metal roller Ordering code - **MCR-16DAM**



Ordering code **MCR-16D-1**

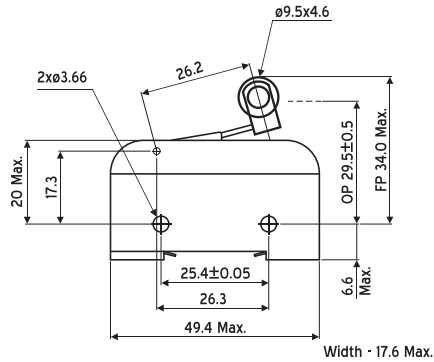
Actuating force 225 gms. (max.)
 Release force 43 gms. (min.)
 Pretravel 6.75 mm. (max.)
 Overtravel 5.3 mm.
 Movement differential 0.4 mm. (max.)
 Salient features Similar to MCR-16D but with increased actuating force.

With metal roller Ordering code - **MCR-16D-1M**



Ordering code **MCRS-16D**

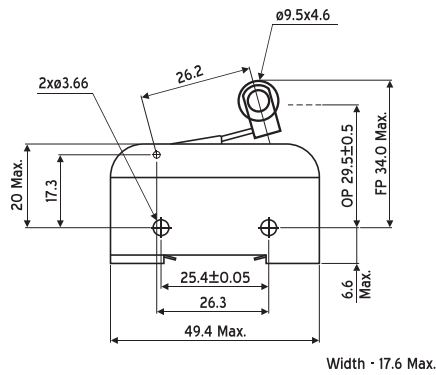
Actuating force 181 gms. (max.)
 Release force 35 gms. (min.)
 Pretravel 5 mm. (max.)
 Overtravel 1.2 mm.
 Movement differential 0.25 mm. (max.)
 Salient features Nylon roller of
 9.5 mm. dia. x 4.6 mm. width
 mounted on stainless steel
 of reduced length.



With metal roller Ordering code - **MCRS-16DM**

Ordering code **MCRS-16D-1**

Actuating force 625 gms. (max.)
 Release force 170 gms. (min.)
 Pretravel 5.5 mm. (max.)
 Overtravel 1.2 mm.
 Movement differential 0.15 mm. (max.)
 Salient features Similar to MCRS-16D but with
 increased actuating force.



With Metal Roller Ordering code - **MCRS-16D-1M**

Note : All roller lever type micro switches are also available with cross roller. Add suffix 'C' after ordering code. eg. : **MCR-16D-C** etc.

ELECTRICAL RATINGS

Load	Rating
AC	5 A at 250V or 3 A at 440V
DC (resistive)	0.5 A at 125V or 0.25 A at 250V
DC (inductive)	0.03 A at 125V or 0.02 A at 250V

- Characteristics
- Single pole changeover, snap-acting switches.
 - Fine silver contacts.
 - Beryllium copper trident spring operating mechanism.
 - Easy wire-up screw and cup-washer terminals characterised by extended creepage distance between the terminals.
 - Conform to IEC 1058-1 standard.



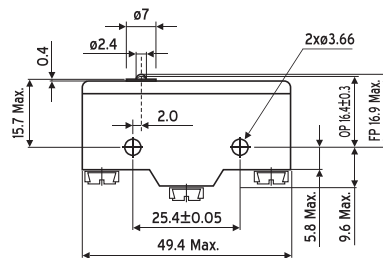
Approval



Ordering code

MT-18

- Actuating force 428 gms. (max.)
 Release force 173 gms. (min.)
 Pretravel 0.5 mm. (max.)
 Overtravel 0.13 mm.
 Movement differential 0.05 mm. (max.)
 Salient features Pin plunger actuator having small operating movements and close movement differential.



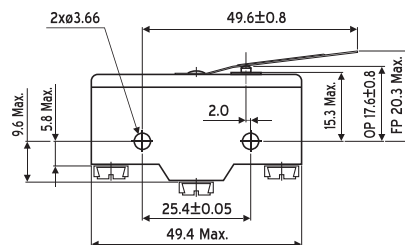
WIDTH - 17.6 Max.



Ordering code

MTL-18

- Actuating force 170 gms. (max.)
 Release force 21 gms. (min.)
 Pretravel 3.0 mm. (max.)
 Overtravel 2.4 mm.
 Movement differential 2.0 mm. (max.)
 Salient features Spring lever actuator having reduced actuating force.



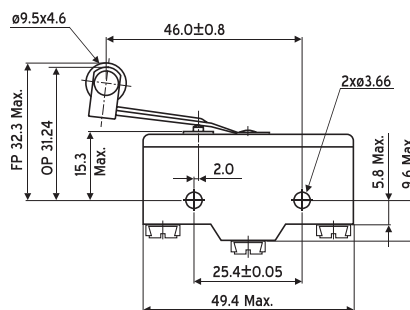
WIDTH - 17.6 Max.



Ordering code

MTR-19

- Actuating force 170 gms. (max.)
 Release force 21 gms. (min.)
 Pretravel 1.0 mm. (max.)
 Overtravel 2.4 mm.
 Movement differential 1.52 mm. (max.)
 Salient features Spring roller lever actuator having self lubricating nylon roller.



WIDTH 17.6 max.

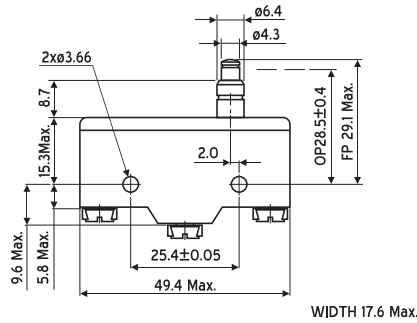


With metal roller

 Ordering code - **MTR-19M**

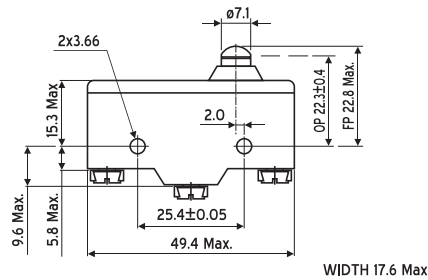
Ordering code **MT-35P**

Actuating force 428 gms. (max.)
 Release force 173 gms. (min.)
 Pretravel 0.6 mm. (max.)
 Overtravel 1.5 mm.
 Movement differential 0.05 mm. (max.)
 Salient features Small diameter spring plunger actuator.



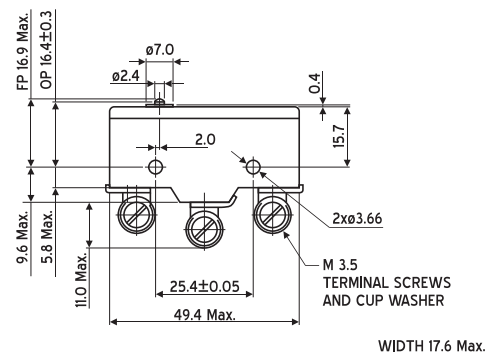
Ordering code **MT-35B**

Actuating force 428 gms. (max.)
 Release force 173 gms. (min.)
 Pretravel 0.5 mm. (max.)
 Overtravel 2.3 mm.
 Movement differential 0.08 mm. (max.)
 Salient features Low profile spring plunger actuator.



Ordering code **MT-18VL**

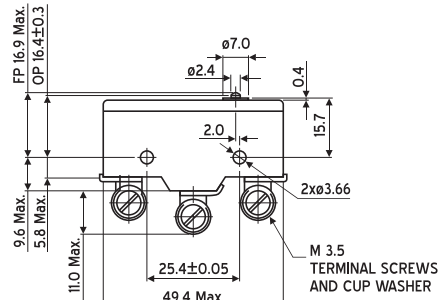
Actuating force 428 gms. (max.)
 Release force 173 gms. (min.)
 Pretravel 0.5 mm. (max.)
 Overtravel 0.13 mm.
 Movement differential 0.05 mm. (max.)
 Salient features Pin plunger actuator on the left with three vertical side facing terminal - screw heads.



Ordering code

MT-18VR

Actuating force 428 gms. (max.)
 Release force 173 gms. (min.)
 Pretravel 0.5 mm. (max.)
 Overtravel 0.13 mm.
 Movement differential 0.05 mm. (max.)
 Salient features Pin plunger actuator on the right with three vertical side facing terminal - screw heads.



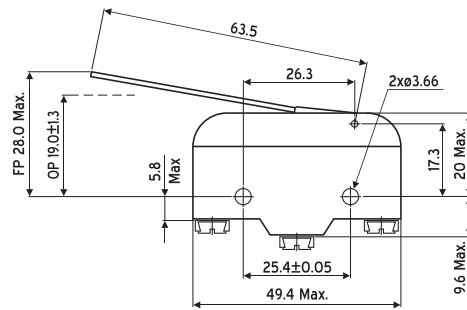
WIDTH 17.6 Max.



Ordering code

MTCL-25D

Actuating force 85 gms. (max.)
 Release force 14 gms. (min.)
 Pretravel 9.0 mm. (max.)
 Overtravel 2.5 mm.
 Movement differential 1.5 mm. (max.)
 Salient features Direct acting stainless steel plain lever of 63.5mm radius.



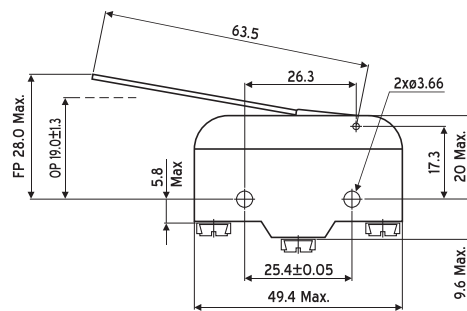
WIDTH - 17.6 Max.



Ordering code

MTCL-25D/LF

Actuating force 28 gms. (max.)
 Release force 3 gms. (min.)
 Pretravel 9 mm. (max.)
 Overtravel 2.5 mm.
 Movement differential 0.8 mm. (max.)
 Salient features Lever return coil spring omitted to achieve lower actuating force.

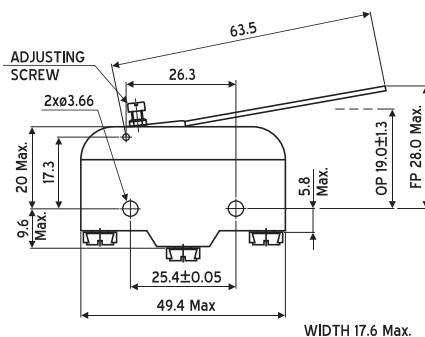


WIDTH - 17.6 Max.

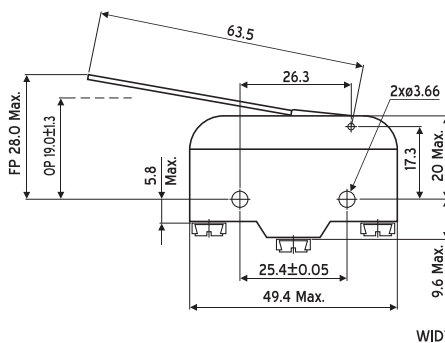


Ordering code MTCL-25DA

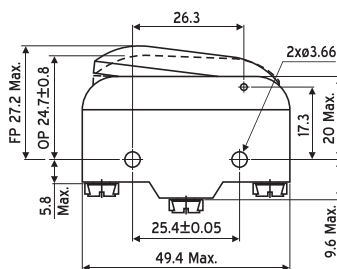
Actuating force 85 gms. (max.)
 Release force 14 gms. (min.)
 Pretravel 9 mm. (max.)
 Overtravel 2.5 mm.
 Movement differential 1.5 mm. (max.)
 Salient features Direct acting stainless steel plain lever of 63.5mm radius. Adjustable lever facilitates fine adjustment of operating position. For coarse adjustment bend lever at the point where it joins its yoke. For fine adjustment turn screw provided on lever. Adjustment of 1½° is available by this method.


Ordering code MTCL-25D-1

Actuating force 225 gms. (max.)
 Release force 29 gms. (min.)
 Pretravel 7 mm. (max.)
 Overtravel 5.6 mm.
 Movement differential 0.76 mm. (max.)
 Salient features Similar to MTCL-25D but with increased actuating force.


Ordering code MTCL-25PL

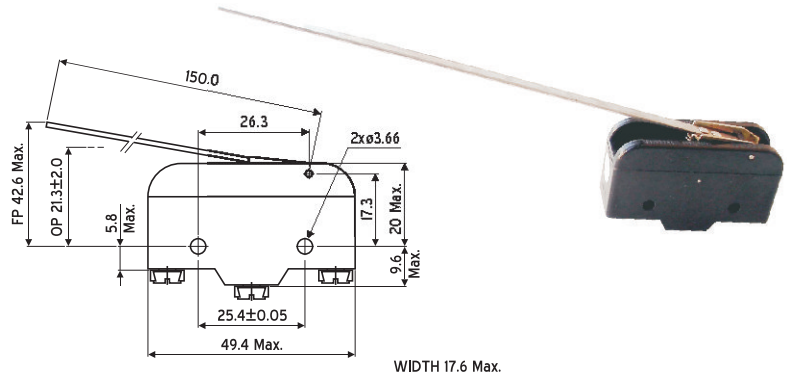
Actuating force 185 gms. (max.)
 Release force 35 gms. (min.)
 Pretravel 2.5 mm. (max.)
 Overtravel 2.0 mm.
 Movement differential 1.5 mm. (max.)
 Salient features Micro switch with plastic lever



Ordering code

MTCL-25DL1

Actuating force 20 gms. (max.)
 Release force 7 gms. (min.)
 Pretravel 23 mm (max.)
 Overtravel 2.5 mm.
 Movement differential 2.0 mm.
 Salient features Direct acting extra long stainless steel plain lever of 150 mm.

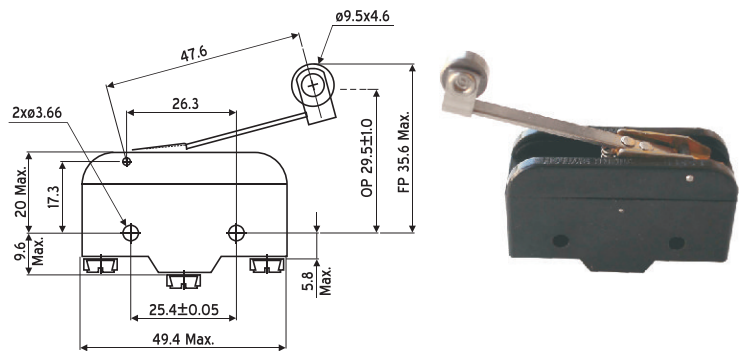


WIDTH 17.6 Max.

Ordering code

MTCR-26D

Actuating force 131 gms. (max.)
 Release force 21 gms. (min.)
 Pretravel 6.1 mm. (max.)
 Overtravel 2.3 mm.
 Movement differential 1.0 mm. (max.)
 Salient features Nylon roller of 9.5 mm. dia. x 4.6 mm. width mounted on stainless steel lever of 47.6 mm. radius.



WIDTH - 17.6 Max.

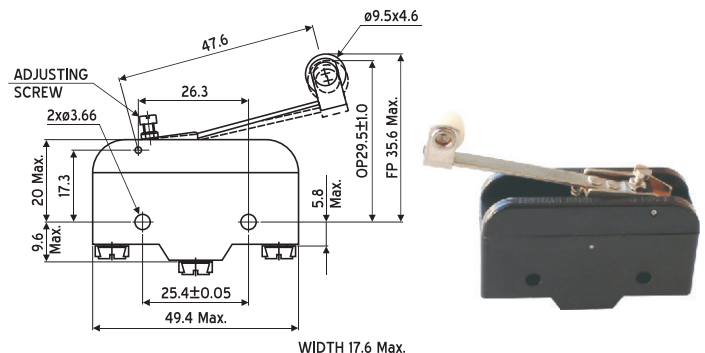
With metal roller

Ordering code - **MTCR-26DM**

Ordering code

MTCR-26DA

Actuating force 131 gms. (max.)
 Release force 21 gms. (min.)
 Pretravel 6.1 mm. (max.)
 Overtravel 2.3 mm.
 Movement differential 1.0 mm. (max.)
 Salient features Nylon roller of 9.5 mm. dia. x 4.6 mm. width mounted on stainless steel lever of 47.6mm. radius. Adjustment of operating mechanism is similar to MTCL-25DA



WIDTH 17.6 Max.

With metal roller

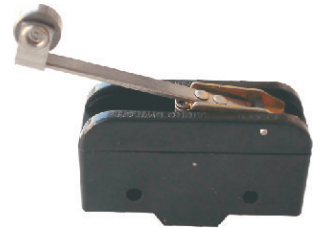
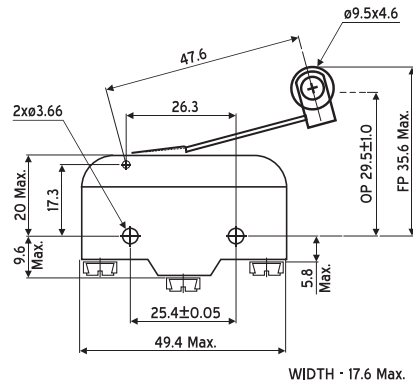
Ordering code - **MTCR-26DAM**

Ordering code

MTCR-26D-1

Actuating force 225 gms. (max.)
 Release force 43 gms. (min.)
 Pretravel 6.75 mm. (max.)
 Overtravel 5.3 mm.
 Movement differential 1 mm. (max.)
 Salient features Similar to MTCR-26D but with increased actuating force.

With metal roller

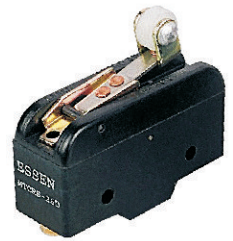
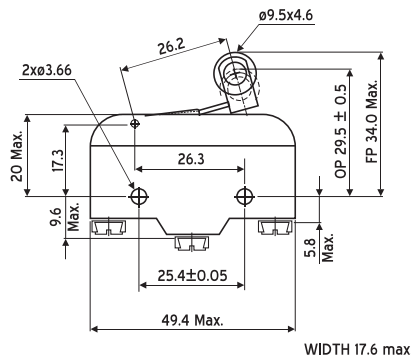
 Ordering code - **MTCR-26D-1M**


Ordering code

MTCRS-26D

Actuating force 213 gms. (max.)
 Release force 35 gms. (min.)
 Pretravel 4.5 mm. (max.)
 Overtravel 1.2 mm.
 Movement differential 0.50 mm. (max.)
 Salient features Nylon roller of 9.5 mm. dia. x 4.6 mm. width mounted on stainless steel lever of reduced length

With metal roller

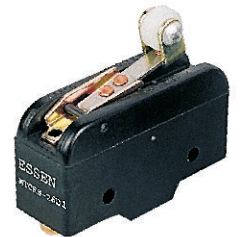
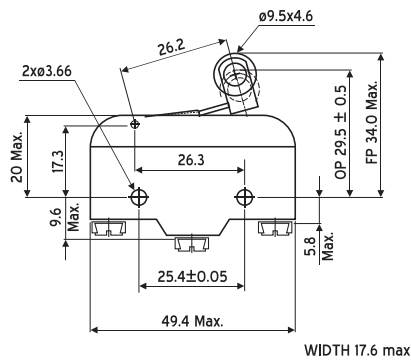
 Ordering code - **MTCRS-26DM**


Ordering code

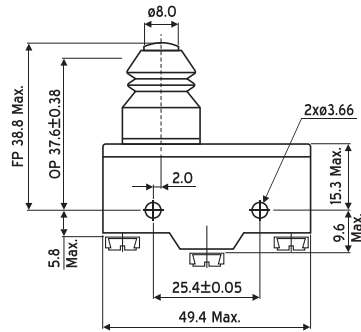
MTCRS-26D-1

Actuating force 625 gms. (max.)
 Release force 170 gms. (min.)
 Pretravel 5.5 mm. (max.)
 Overtravel 1.2 mm.
 Movement differential 0.84 mm. (max.)
 Salient features Similar to MTCRS-26D but with increased actuating force.

With metal roller

 Ordering code - **MTCRS-26D-1M**


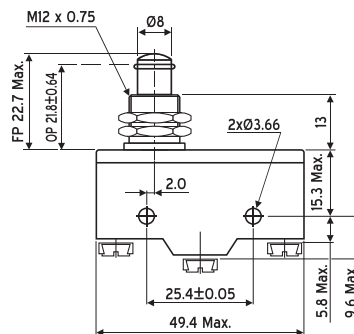
Ordering code	MTPC-27
Actuating force	642 gms. (max.)
Release force	170 gms. (min.)
Pretravel	1.2 mm. (max.)
Overtravel	4.6 mm.
Movement differential	0.08 mm. (max.)
Salient features	Spring plunger actuator protected by a synthetic rubber cowl.



Width - 17.6 Max.



Ordering code	MTP-26
Actuating force	420 gms. (max.)
Release force	170 gms. (min.)
Pretravel	0.9 mm. (max.)
Overtravel	3.3 mm.
Movement differential	0.08 mm. (max.)
Salient features	Large spring plunger actuator with single hole or side mounting.



Width - 17.6 Max.



Note : All roller lever type micro switches are also available with cross roller. Add suffix 'C' after ordering code. eg.: **MTCRS-26D-C** etc.

ELECTRICAL RATINGS

Load	Rating
AC	15 A at 250V or 5 A at 460V
DC (resistive)	0.5 A at 125V or 0.25 A at 250V
DC (inductive)	0.03 A at 125V or 0.02 A at 250V

- Characteristics
- Single pole changeover.
 - Free running ball actuator.
 - 6BA screw terminals in 3.96 mm. wide wiring channels.
 - Terminals are protected by a removable, insulated cover plate.
 - Vast array of applications.
 - Ball actuator may be actuated from any direction above the horizontal.
 - Conform to IEC 1058-1 standard.



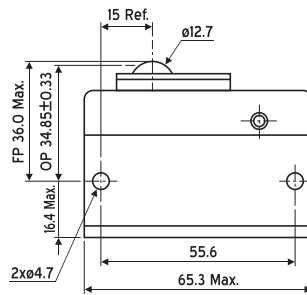
Approval



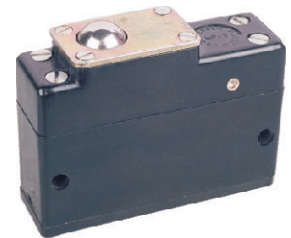
Ordering code

MP-3

Actuating force	567 gms. (max.)
Release force	170 gms. (min.)
Pretravel	1.15 mm. (max.)
Overtravel	3.18 mm.
Movement differential	0.08 mm. (max.)
Salient features	Free running stainless steel ball actuator is actuated by a force from any direction above the horizontal.



WIDTH 20.75 max.


ELECTRICAL RATINGS

Load	Rating
AC	5 A at 110V or 3 A at 250V
DC (resistive)	0.4 A at 110V or 0.2 A at 250V
DC (inductive)	0.03 A at 110V or 0.02 A at 250V

All dimensions are in mm.

Due to continuous improvement in products, we reserve the right to alter specifications without prior notice